

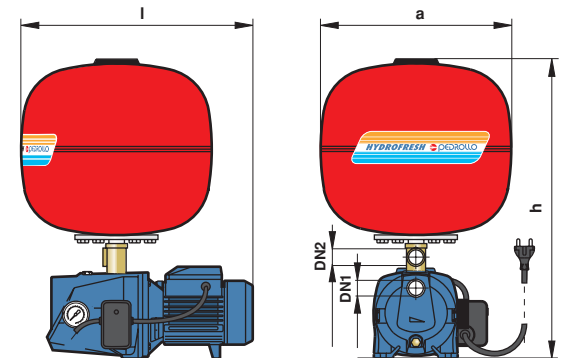
# HYDROFRESH-24 SF

Small pressure sets with 24 litre spherical vessel, for automatic operation. Suitable for the supply of pressurised water in the home or in holiday homes.



## PERFORMANCE AND DIMENSIONS

TYPE	PORTS		POWER		FLOW RATE (1)	SETTING (recommended)		DIMENSIONS		
	suc.	deliv.	kW	HP		min	max	l	a	h
Single-phase					l/min					
PKm 60 - 24 SF	1"	1"	0.37	0.50	32	1.4	2.8	381	360	513
PKm 65 - 24 SF	1"	1"	0.50	0.70	40	1.5	3.0	389	360	518
PKm 70 - 24 SF	1"	1"	0.60	0.85	50	1.8	3.2	409	360	531
PKm 80 - 24 SF	1"	1"	0.75	1	50	2.2	3.6	409	360	531
PKm 100 - 24 SF	1"	1"	1.1	1.5	50	3.5	4.5	447	360	549
PKSm 60 - 24 SF	1"	1"	0.37	0.50	32	1.4	2.8	381	360	565
PKSm 65 - 24 SF	1"	1"	0.50	0.70	40	1.5	3.0	389	360	565
PKSm 70 - 24 SF	1"	1"	0.60	0.85	50	1.8	3.2	409	360	577
PKSm 80 - 24 SF	1"	1"	0.75	1	50	2.2	3.6	409	360	577
CPm 152 - 24 SF	1"	1"	0.55	0.75	80	1.4	2.8	434	360	617
CPm 158 - 24 SF	1"	1"	0.75	1	90	1.8	3.2	434	360	617
CPm 170 - 24 SF	1 1/4"	1"	1.1	1.5	120	2.2	3.5	470	360	635
CPm 170M-24 SF	1 1/4"	1"	1.1	1.5	150	2.0	3.5	470	360	635
2CPm 25/130N - 24 SF	1 1/4"	1"	0.75	1	100	1.4	2.8	437	360	576
2CPm 25/140H - 24 SF	1 1/4"	1"	1.1	1.5	100	2.2	3.6	462	360	599
2CPm 25/140M - 24 SF	1 1/2"	1"	1.1	1.5	140	2.2	3.6	462	360	599
3CPm 80E - 24 SF	1"	1"	0.45	0.60	60	1.4	2.8	401	360	550
4CPm 80E - 24 SF	1"	1"	0.60	0.85	60	2.2	3.6	408	360	550
3CPm 100E- 24 SF	1"	1"	0.60	0.85	100	1.4	2.8	408	360	550
4CPm 100E- 24 SF	1"	1"	0.75	1	100	2	3.5	423	360	550
3CRm 80 - 24 SF	1"	1"	0.45	0.60	60	1.4	2.8	435	360	548
4CRm 80 - 24 SF	1"	1"	0.60	0.85	60	2.2	3.6	443	360	548
3CRm 100 - 24 SF	1"	1"	0.60	0.85	100	1.4	2.8	423	360	548
JSWm 1C - 24 SF	1"	1"	0.37	0.50	45	1.2	2.6	434	360	536
JSWm 1B - 24 SF	1"	1"	0.50	0.70	50	1.4	2.8	434	360	536
JSWm 1A - 24 SF	1"	1"	0.60	0.85	50	1.8	3.2	441	360	536
JSWm 10H - 24 SF	1"	1"	0.75	1	50	2.0	3.2	460	360	555
JSWm 12H - 24 SF	1"	1"	0.90	1.25	50	2.5	4.0	460	360	555
JSWm 15H - 24 SF	1"	1"	1.1	1.5	50	3.0	4.5	460	360	555
JSWm 10M - 24 SF	1"	1"	0.75	1	80	1.4	2.8	460	360	555
JSWm 12M - 24 SF	1"	1"	0.90	1.25	80	2.0	3.5	460	360	555
JSWm 15M - 24 SF	1"	1"	1.1	1.5	80	2.5	4.0	460	360	555
JSWm 3CH- 24 SF	1 1/4"	1"	1.1	1.5	70	3.0	4.5	522	360	583
JSWm 3CM- 24 SF	1 1/4"	1"	1.1	1.5	120	2.0	3.5	522	360	583
JSWm 3CL - 24 SF	1 1/4"	1"	1.1	1.5	160	1.4	2.8	522	360	583
JCRm 1C - 24 SF	1"	1"	0.37	0.50	50	1.2	2.6	435	360	548
JCRm 1B - 24 SF	1"	1"	0.50	0.70	50	1.4	2.8	435	360	548
JCRm 1A - 24 SF	1"	1"	0.60	0.85	50	1.8	3.2	443	360	548
JCRm 10H - 24 SF	1 1/4"	1"	0.75	1	50	2.0	3.4	460	360	579
JCRm 12H - 24 SF	1 1/4"	1"	0.90	1.25	50	2.4	3.8	460	360	579
JCRm 15H - 24 SF	1 1/4"	1"	1.1	1.5	50	3.0	4.0	460	360	579
JCRm 10M - 24 SF	1 1/4"	1"	0.75	1	80	1.4	2.8	460	360	579
JCRm 12M - 24 SF	1 1/4"	1"	0.90	1.25	80	2.0	3.5	460	360	579
JCRm 15M - 24 SF	1 1/4"	1"	1.1	1.5	80	2.5	4.0	460	360	579



## HYDROFRESH 24 SF COMPONENTS

- Single-phase pump 230 V - 50 Hz
- 24 litre spherical vessel
- Pressure switch "SQUARE-D"
- Pressure gauge
- 3 or 5-way brass connector
- 1.5 metre cable with Schuko plug

- (1) Maximum flow rate with the minimum recommended pressure switch settings
- (2) Pressure switch recommended rate

N.B. The pre-charge of air in diaphragm tanks must be set to a value 0.2 bar lower than the minimum setting of the pressure switch.